

MANUEL LED BYPASS

Safety & Warnings

- DO NOT install with power applied to device.
- DO NOT expose the device to moisture.
- DO NOT install in combination with RL.

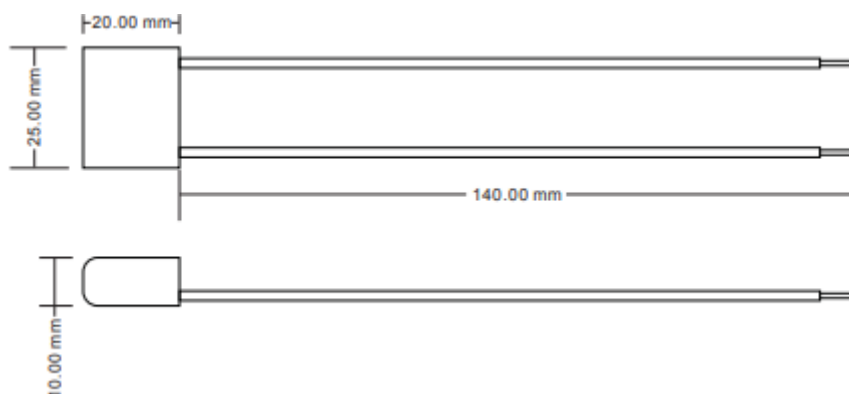
Important:

Read All Instructions Prior to Installation

Product Data:

Power supply	AC100-240V, 50/60Hz
Power consumption	< 1.4W
Operating temperature	0 to 40°C
Relative humidity	8% to 80%
Dimensions	25x20x10mm

Product Dimensions



Product Description

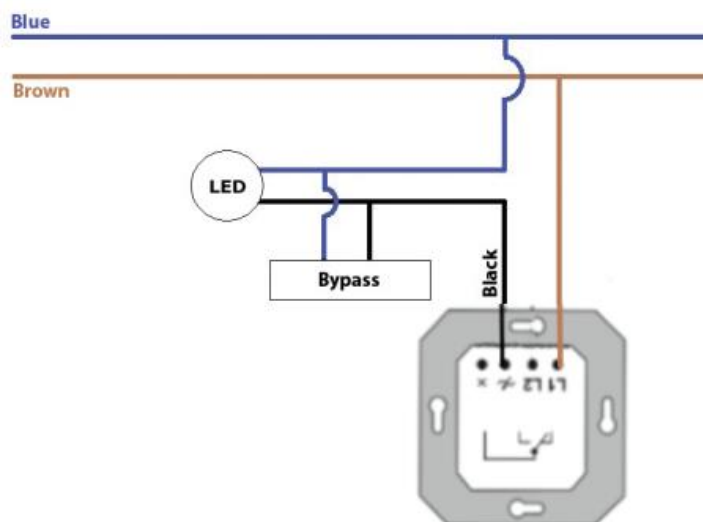
The Bypass is a device designed to work with 2-wire dimmer or switch with no neutral wire, to be used with LED bulbs or energy saving light bulbs. The Bypass prevents LEDs from flickering and continuing to glow in a switched off situation.

In 2-wire connection the Bypass reduces the minimum power of load required by the dimmer or switch for correct operation. The Bypass provides powering of the dimmer or switch in case of controlling low loads



MANUEL LED BYPASS

Installation:



The dimming stabilizer should be connected parallel to the light source and as close to the light source as possible. The dimming stabilizer can be placed with a 3-way welding clamp at the connection to the light source. You place 1 wire on the PHASE side and 1 wire on the ZERO side.

Step 1] Place the one source black (random) wire from the dim stabilizer to the PHASE wire from the light.

Step 2] Place the other black (random) wire of the dim stabilizer on the ZERO wire of the light

